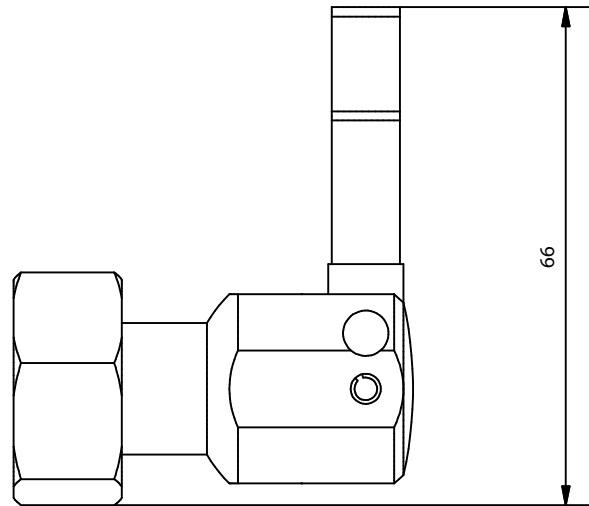
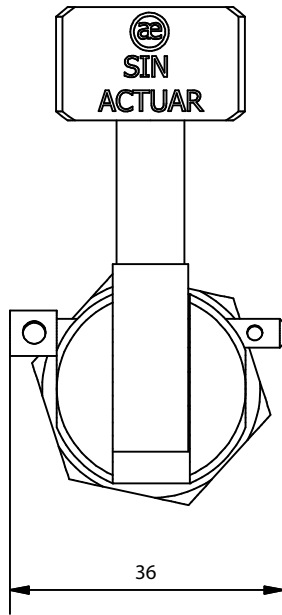
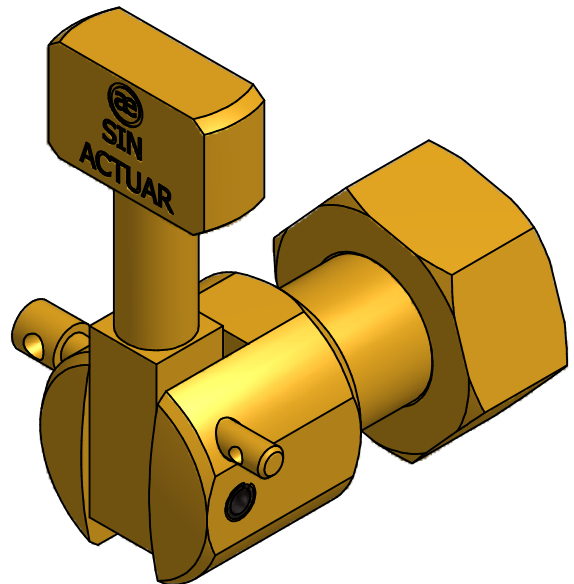
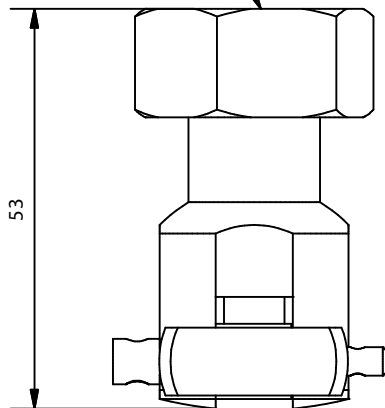


HAND LEVER

AEX/PM160A


 Female M24x1.5
 


Specifications	
Name	Value
Material	Brass
Certification	CE (UNE EN 12094-4)


 Av. Alfonso Peña Boeuf, 6 y 9
 28022 MADRID - ESPAÑA
 TEL: +34 913121656
 FAX: +34 913295820

DATA SHEET

HAND LEVER

Description: Manual actuator for cylinders from 5 to 120 L, pilot bottle, firing systems for directional valves and drain valve.

Code sheet:	Group sheet:	Reference:	Drawn:	Date:	Revised:	Date:	Review:	Format:
AEX-FTC-61-061	FK-5-1-12	AEX/PM160A	DCM	26/07/2017	MRC	26/07/2017	1	A4